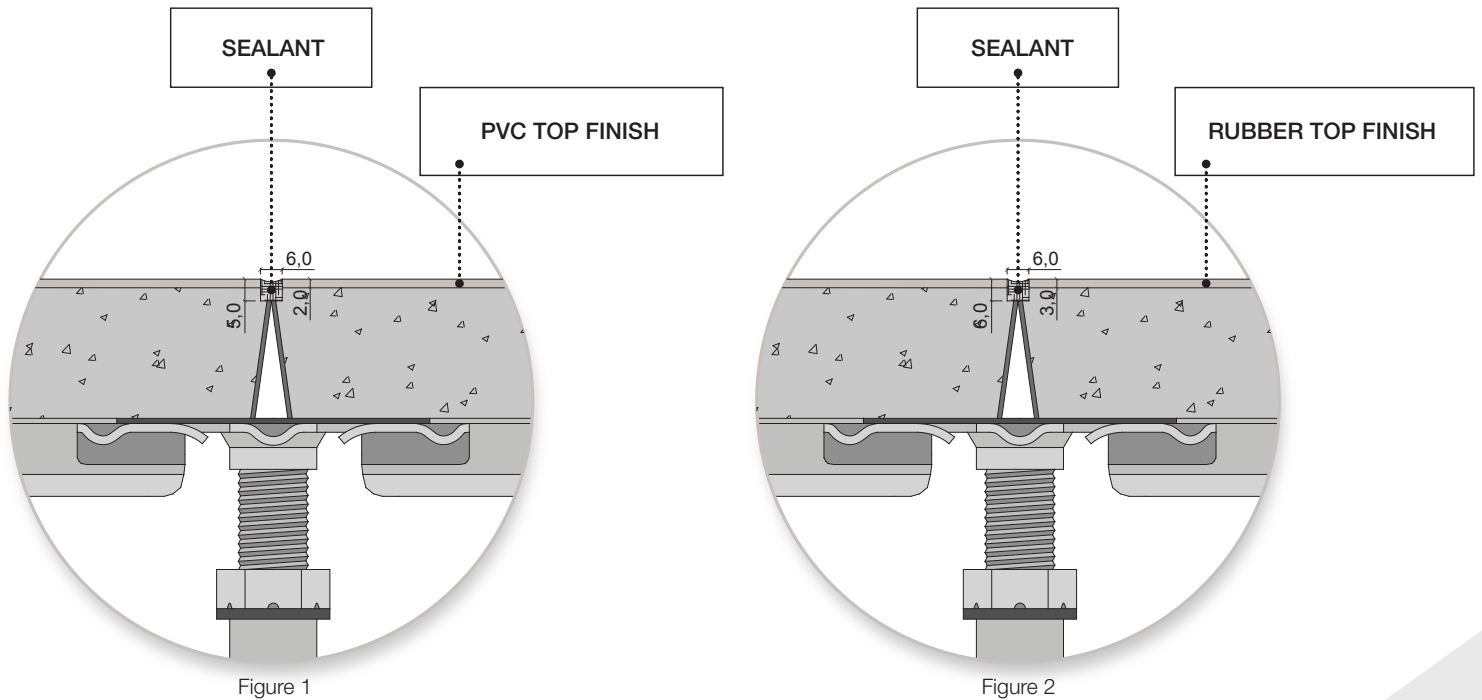




TOP FINISH: RESILIENT

Raised flooring with special sealing of the perimeter joints of the panels with silicone elastomer. It allows to obtain a continuous surface impenetrable from external agents (liquids and solids), which depositing directly on the slab could make the environment unhealthy as well as damage any equipment present in the subfloor. The flooring is composed of: panels, pedestals with gasket, stringers with gasket (if necessary) and fixing screws.

In case of maintenance to the plenum under the floor it will be possible to remove the panels by cutting the sealant with a cutter. Once the operations are complete, remove the sealant residues, reposition the panels and apply the sealant again with the initial procedure.



PLACE OF USE

This type of floor is particularly suitable for hospital environments, clinics, laboratories, restaurants, supermarkets where compliance with sanitary regulations is necessary.

SEALANT CHARACTERISTICS

One-component silicone sealant, available in more than 30 different colors. Excellent durability since the sealing is unaffected by exposure, bad weather, industrial atmospheres, thermal shocks and chemical agents; it is also completely unaffected by mold.

It is characterized by high elasticity, necessary to cope with external stresses and settling of the raised floor itself. Conforms to EN 15651-1, EN 16561-2, EN 16561-3 and CE marked.

PRODUCT MAINTENANCE

This type of floor does not require special cleaning measures. Depending on the surface finish, it is possible to proceed with suction or washing with a cloth dampened with neutral detergent. Perform a final rinse and remove the liquids.

See the table for mechanical characteristics Psi 30 / PTi 40